



## **PP235LSM-AL Pipe-Style Snow Guard Submittal Document Set**

### **ROOF TYPES**

- New / Existing Ludowici Straight Mission Tile

### **AVAILABLE MATERIALS**

- Aluminum Bracket
- Stainless Steel Tile Base Plate

### **AVAILABLE FINISHES**

- Mill Finish
- Powder Coating (additional charge) using RAL TIGER Drylac® Exterior Colors

### **FEATURES/ADVANTAGES**

- Designed specifically to match Ludowici Straight Mission Tiles
- Tile Base Plate custom-made to match the tile it will replace
- Height Adjustable - 39° of height adjustability for a customized setting on varying roof pitches
- Accepts 1" OD Pipe (Tubing)
- Compatible with the use of Ice Flags and Ice Screens
- Internal and External Couplings, End Collars, and End Caps are available for this system

# Cut Sheet - PP235LSM-AL

1. Installation to be completed in accordance with manufacturer's written specifications and installation instructions.
2. See spec sheet or contact manufacturer for detailed material, finishes, and configuration options.
3. Contact manufacturer for detailed layout.
4. Do not scale drawings.
5. Subject to change without notice.
6. For patent information, visit our [Patent Page](#).

## Available Finishes

- Mill Finish (Standard)
- RAL Tiger Drylac Powder Coating
- Color Code: \_\_\_\_\_

## Available Sizes

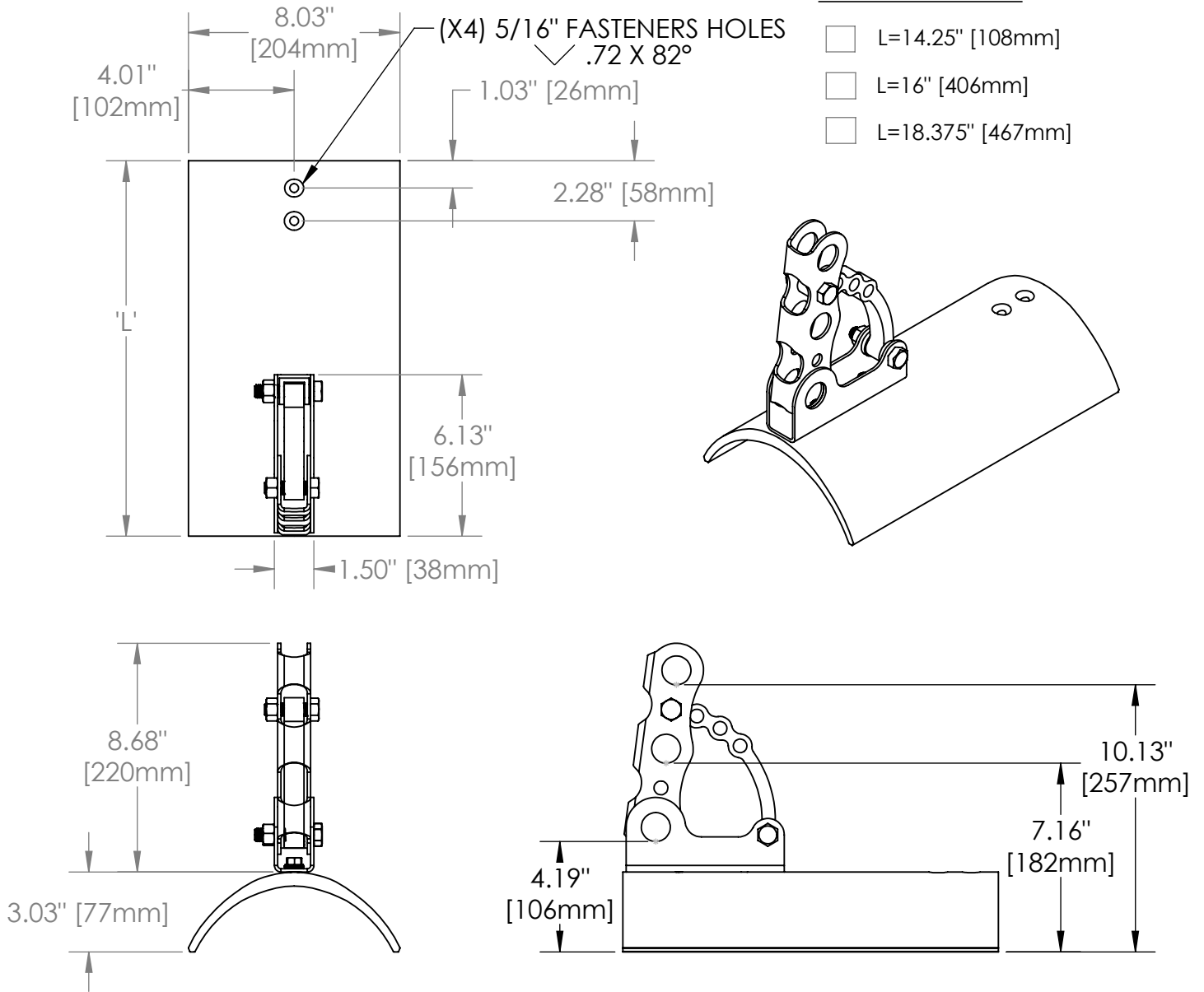
- L=14.25" [108mm]
- L=16" [406mm]
- L=18.375" [467mm]

I have verified that this product will work for this project.

Quote #: \_\_\_\_\_

Signature: \_\_\_\_\_ Date: \_\_\_\_\_

To confirm order, return signed cut sheet and sales quote.



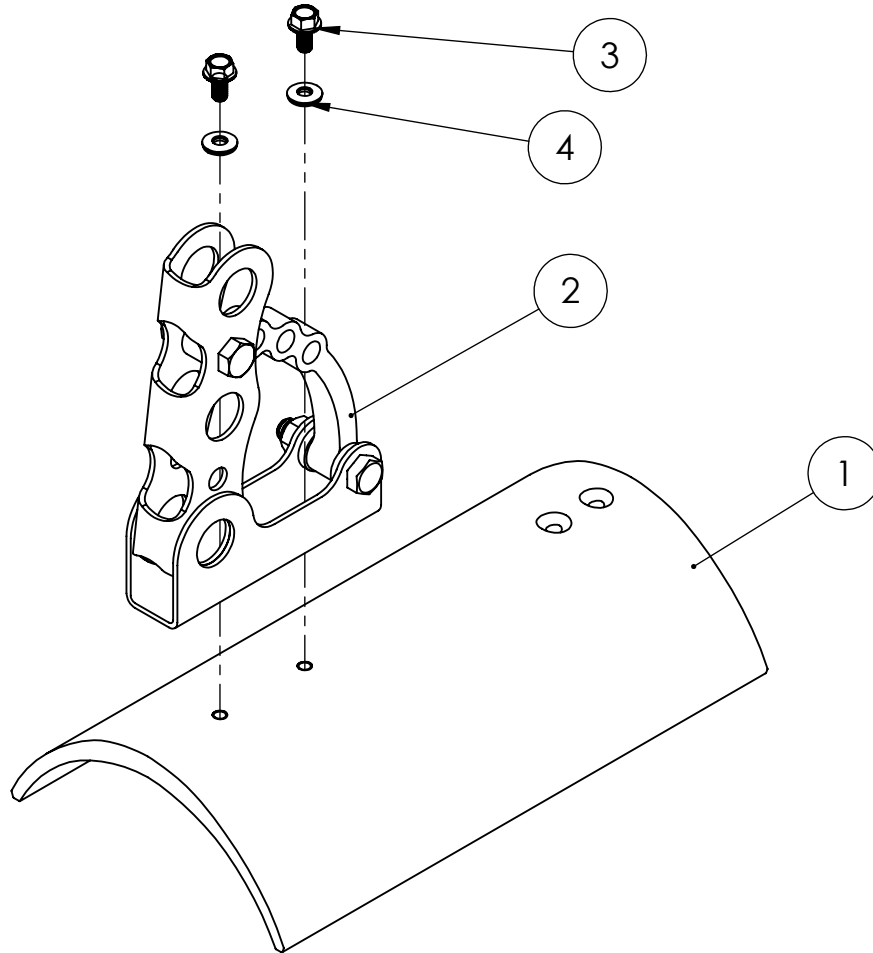
289 Harrel Street  
 Morrisville, VT 05661  
 Phone: 1.888.766.4273  
 Fax: 1.888.766.9994  
 Email: [Info@alpinesnowguards.com](mailto:Info@alpinesnowguards.com)

Scale: 1:6

4/21/2025

# Assembly Sheet - PP235LSM-AL

1. Installation to be completed in accordance with manufacturer's written specifications and installation instructions.
2. See spec sheet or contact manufacturer for detailed material, finishes, and configuration options.
3. Contact manufacturer for detailed layout.
4. Do not scale drawings.
5. Subject to change without notice.
6. For patent information, visit our [Patent Page](#).



ITEM NO.	PART NUMBER	DESCRIPTION	QTY.
1	TILE LUD-SB-AL	LUDO 14",16" OR 18" STRAIGHT BARREL MISSION TILE	1
2	PP225-AL-UPKIT	225 3 PP BRACKET ONLY-AL	1
3	B-FL SS-.313-18X.625	SS FLANGE BOLT .313-18X.625"	2
4	W-NEO SS-.313	SS NEO WASHER .313 ID (INCLUDED IN PP225-AL-UPKIT)	2



289 Harrel Street  
 Morrisville, VT 05661  
 Phone: 1.888.766.4273  
 Fax: 1.888.766.9994  
 Email: [Info@alpinesnowguards.com](mailto:Info@alpinesnowguards.com)

Scale: 1:4

4/21/2025

## PP235LSM-AL Specification Sheet Snow Guards

### PART 1 – GENERAL

#### 1.1 SUMMARY

##### A. WORK INCLUDES

1. PP235LSM snow guard that attaches directly to roof deck.
2. Coordinate with installation of roof to assure proper placement of snow guards.
3. Provide appropriate snow guard and fasteners for roof system

##### B. RELATED SECTIONS

- |   |                            |
|---|----------------------------|
| 1. Section 07600: Flashing and Sheet Metal.     | MasterFormat 2016 07 60 00 |
| 2. Section 07310: Shingles.                     | MasterFormat 2016 07 31 00 |
| 3. Section 07320: Roofing Tiles.                | MasterFormat 2016 07 32 00 |
| 4. Section 07720: Snow Guards.                  | MasterFormat 2016 07 72 00 |
| 5. Division 7: Thermal and Moisture Protection. |                            |

#### 1.2 SYSTEM DESCRIPTION

##### A. COMPONENTS

1. PP235LSM Snow guard system consists of snow guard bracket assembly and base tile with (2) stainless steel bolts and (2) bonded stainless steel and EPDM washers.
2. PP75, tubing (Snow Fence)
3. Couplings.
  - a. PP84, external
  - b. PP86, internal
4. PP56, end caps
5. PP65, end collars
6. PP95, ice flags, optional
7. Fasteners
  - a. To be of metal compatible with snow guards.
  - b. Fasteners should be selected for compatibility with roof deck.
  - c. Fastener strength should exceed or be equal to that of snow guard system

##### B. DESIGN REQUIREMENTS

1. Spacing to be recommended by manufacturer or building engineer.
2. Install a minimum of 2 fasteners per snow guard.
3. It is important to design new structures or assess existing structures to make sure they can withstand retained snow loads.

#### 1.3 SUBMITTAL

- A. Submit manufacturer's specifications, standard detail drawings, installation instructions, and recommended layout.

#### 1.4 QUALITY ASSURANCE

- A. Installer to be experienced in the installation of specified roofing material and snow guards for not less than 5 years in the area of the project.

#### 1.5 DELIVERY / STORAGE / HANDLING

- A. Inspect material upon delivery and order replacements for any missing or defective items. Keep material dry, covered and off the ground until installed.



## PP235LSM-AL Specification Sheet Snow Guards

### PART 2 – PRODUCTS

#### 2.1 MANUFACTURER

A. Alpine SnowGuards®, a Division of Vermont Slate & Copper Services, Inc.  
289 Harrel St., Morrisville, VT 05661 | 888-766-4273 | [www.alpinesnowguards.com](http://www.alpinesnowguards.com)

#### 2.2 MATERIALS

- A. Snow Guard Bracket - 5000 Series Aluminum.
- B. Base Tile – 6000 Series Aluminum
- C. PP75, tubing (choose one)
  - 1. Aluminum – 6000 Series, 1” outside diameter and .120” wall thickness, extruded.
  - 2. Stainless Steel – 304 alloy, same dimensions as aluminum, welded.
- D. PP84 and PP86, external and internal couplings (choose one)
  - 1. Aluminum – 6000 Series
    - a. Internal and concealed coupling 3” long.
    - b. External and exposed coupling which can also serve as a 5” long expansion mechanism.
  - 2. Stainless Steel – 304 Series
    - a. Internal and concealed coupling 3” long.
- E. PP56, end caps - 304 Stainless Steel.
- F. PP65, end collars (choose one)
  - 1. 6000 Series Aluminum.
  - 2. 304 Stainless Steel.
- G. PP95, ice flags, optional (choose one)
  - 1. 6000 Series Aluminum 3” wide x length (as needed).
  - 2. 304 Stainless Steel.
- H. Fasteners (can be purchased from others) to be compatible with chosen roof application.

#### 2.3 FINISH (choose one)

- A. Mill Finish – standard
- B. Powder Coated – available at additional cost.

### PART 3 – EXECUTION

#### 3.1 EXAMINATION

- A. Substrate
  - 1. Inspect structure on which snow guard system is to be installed and verify it will withstand any additional loading that it may incur. Notify general contractor of any deficiencies before installing Alpine SnowGuards’ products.
  - 2. Verify roofing material has been installed correctly prior to installing snow guards.

#### 3.2 INSTALLATION

- A. Comply with architectural drawings and snow guard manufacturer’s recommendations for location of system. Comply with manufacturer's written installation instructions for installation and layout.

Document Version 06.02.2025  
07 72 53 Snow Guards

## PP235 Pipe-Style Snow Guard Installation Instructions for All Models (Ludowici Spanish, Mission, French, Flat & Other Custom Tile)

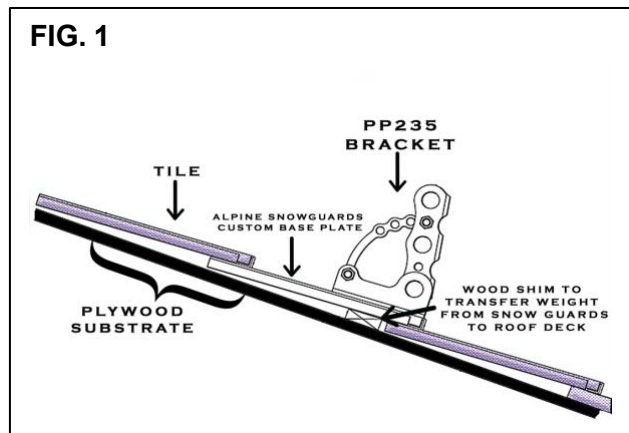
### For Bolt-Down Style Brackets on Tile Roofs

A. Brackets should be mounted to the base plate using the bolts provided (unless bolts are welded to base plate) before the base plate is screwed or bolted to the roof deck.

B. Install wood shim to support base plate on roof deck. Size/location of the shim required varies by tile profile and roof installation method. (See Fig. 1)

C. Base plates should be securely bolted or screwed to the roof in place of a tile.

**Note:** Consult with an engineer or fastener company to determine the fastener required to attach the base plate to the building structure.



D. Install pipes, couplings, end caps and collars per Pipe Accessories Install document.

### Snow guard layout for pipe style brackets

- Contact the manufacturer for detailed layout.
- Do not install runs of snow retention more than 100 feet long without a break to allow for thermal expansion.
- First row of snow guards is installed above outer most wall or support of the building.

Document version 07.03.2025  
07 72 53 SNOW GUARDS