

# Cut Sheet - PP125 (8"x12"Base or Larger)

1. Installation to be completed in accordance with manufacturer's written specifications and installation instructions.
2. See spec sheet or contact manufacturer for detailed material, finishes, and configuration options.
3. Contact manufacturer for detailed layout.
4. Do not scale drawings.
5. Subject to change without notice.
6. For patent information, visit our [Patent Page](#).

## Available Materials

Aluminum Bracket,  
Stainless Steel Base

Other  
(Contact Alpine SnowGuards)

## Available Finishes

Mill Finish (Standard)

Powder Coating  
(RAL Tiger Drylac Powder  
Coating Color Code: \_\_\_\_\_)

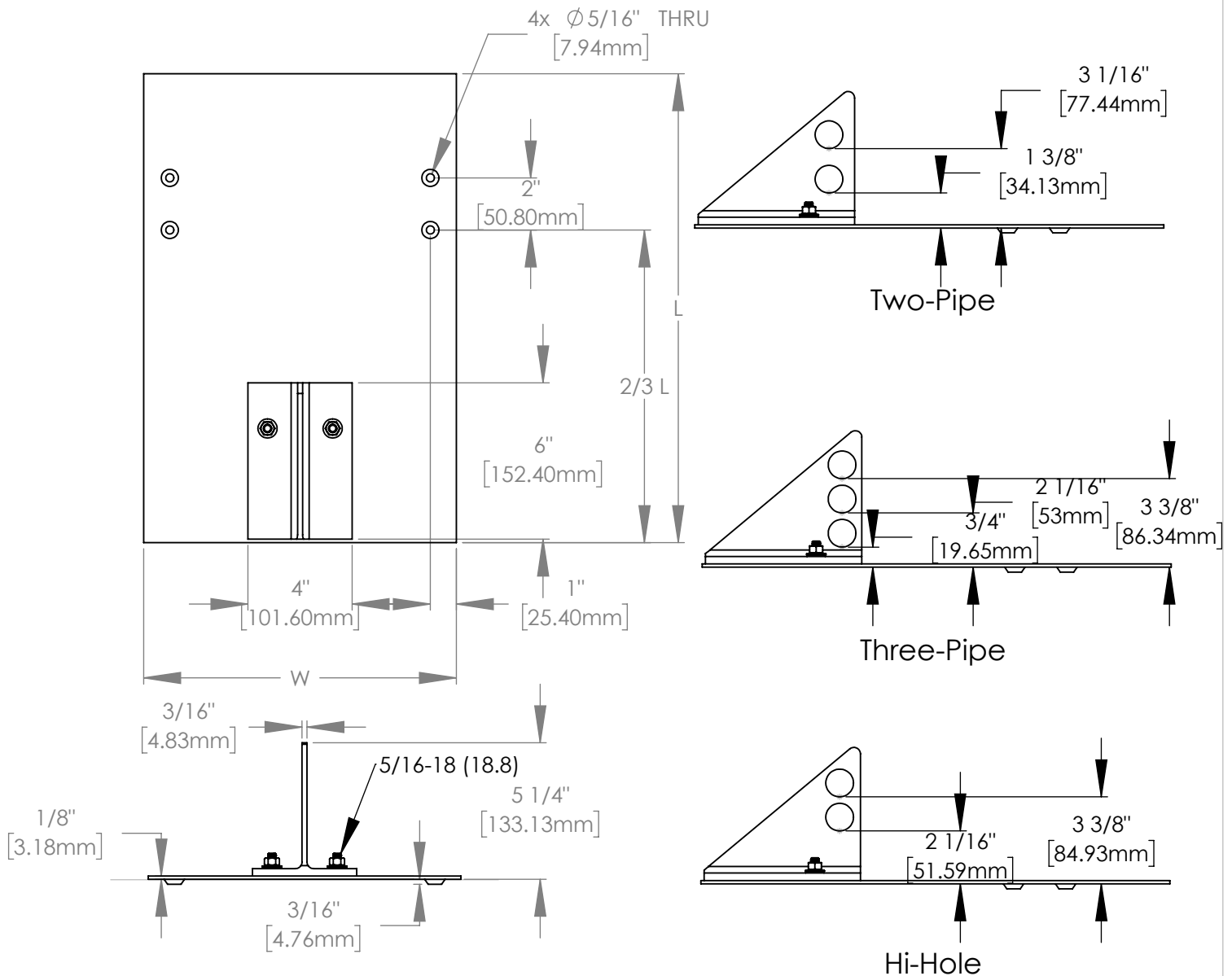
## Available Configurations

Two-Pipe  Hi-Hole

Three-Pipe  Other  
(Contact Alpine SnowGuards)

## Base Plate Size

\_\_\_\_x\_\_\_\_



289 Harrel Street  
Morrisville, VT 05661  
Phone: 1.888.766.4273  
Fax: 1.888.766.9994  
Email: [Info@alpinesnowguards.com](mailto:Info@alpinesnowguards.com)

Scale: 1:5

9/8/2021