

FUSION-GUARD-18 Snow Guard

ROOF TYPES

- New Cedar Shingle
- New Composition (Asphalt) Shingle
- New Slate
- New Synthetic Shake or Slate
- New Tile

INSTALLATION

1. Install the first 2-3 rows of roofing material (3 rows for slate, tile, or shingle; 2 rows for synthetic shingles), and place the strap of the snow guard on the roof deck (*fig. 1*).

Note: When installing on 3-tab shingles, lay Fusion-Guard on top of the shingle, centering on the keyway between shingles.

2. Measure the butt-end thickness of the shingle. Place the guard low enough to leave a gap between the shingle and the snow guard head that is at least **3x the thickness** or **5/8" minimum**, whichever is greater. (*fig. 2*)
3. Use 2 fasteners in a vertical pattern to attach to rafters. Use two fasteners in a horizontal pattern for installation into sheathing.

FIG.1

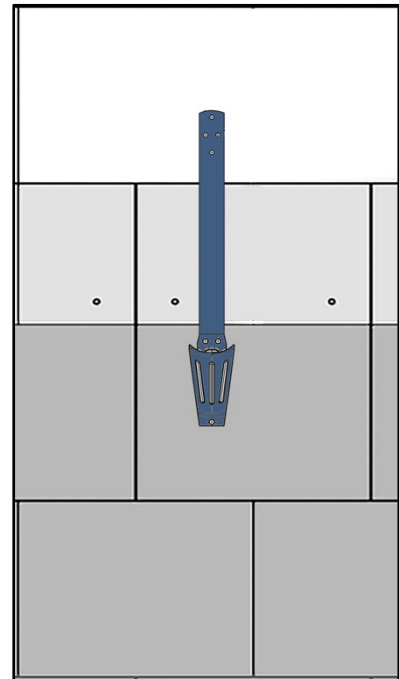
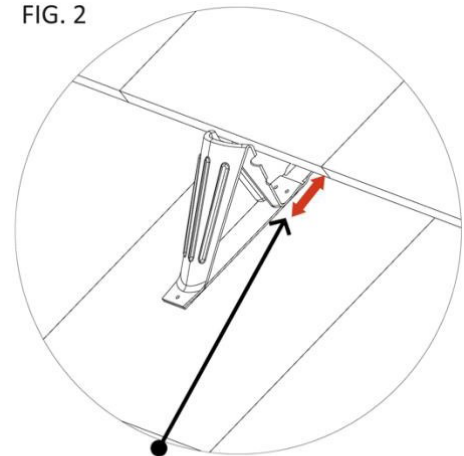


FIG. 2



PROPER SNOW GUARD PLACEMENT

Ex. 0.5" shingle thickness X 3 = 1.5" spacing
Back of head is 1.5" from front edge of shingle

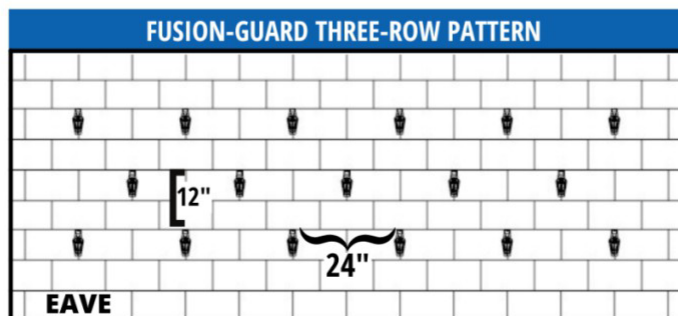
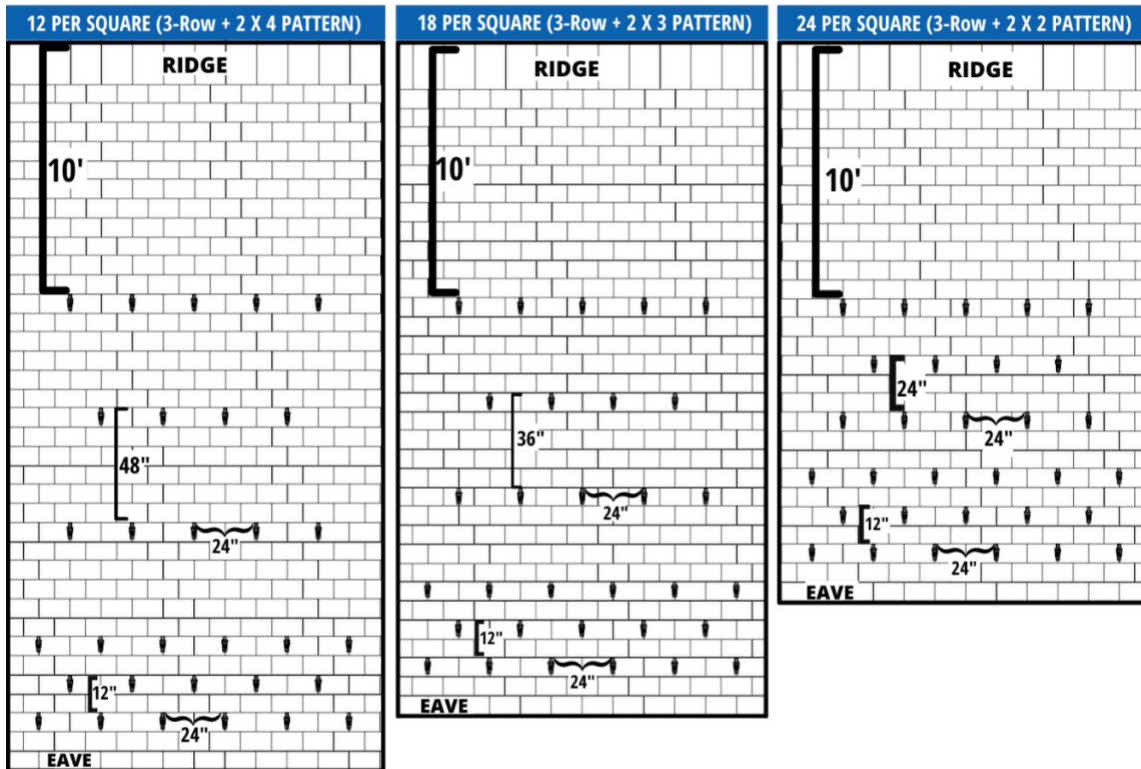
FUSION-GUARD-18 Snow Guard

STANDARD SNOW GUARD LAYOUT OPTION

IMPORTANT: All layouts begin with a 3-row pattern. Estimated quantities provided include 3-row pattern. If you have any questions, please contact us at 888-766-4273.

Please use the guidelines below to determine the appropriate layout for your installation.

PAD LAYOUT GUIDELINES					
Layout	Rafter Length	Ground Snow Load (PSF)	Roof Pitch	Est. Snow Guard QTY.	Spacing
3-Row Pattern	15' or Less	75 psf or Less	16/12 or Less	17 per 10' of Eave	3 rows, 24" on center horizontally with middle row staggered 12". Rows vertically spaced every other course.
4 x 2 Pattern	Greater Than 15'	75 psf or Less	16/12 or Less	12 per roofing square	Space rows 2' horizontally and 4' vertically to within 10' of the ridge.
3 x 2 Pattern	Any	76 - 110 psf	16/12 or Less	18 per roofing square	Space rows 2' horizontally and 3' vertically to within 10' of the ridge.
2 x 2 Pattern	Any	111 - 150 psf	16/12 or Less	24 per roofing square	Space rows 2' horizontally and 2' vertically to within 10' of the ridge.



FUSION-GUARD-18 Snow Guard

ROD INSTALLATION (OPTIONAL):

Refer to Assembly Sheet for Diagram

1. Fasten the Rod Bracket to the snow guard's head using 3 rivets or #6-32 sheet-metal screws.
2. Insert 3/8" rod (RD77) or pipe (PP77).
3. On runs longer than 6', join rods with external couplings (RD87).

Note: 3/8" rod or pipe snow guards must have a break in the assembly every 48' of eave length to allow for thermal expansion, and have a maximum allowable overhang of 6 inches from the end bracket.

4. End collars (RD65) should be placed over the end of each run of rod, on the inside of the outermost brackets. End collars should be installed 1/2" from the bracket.
5. Optional ice flags (RD95) are available.

OPTIONAL ROD LAYOUT GUIDELINES	
Roof Pitch	Alpine SnowGuards' Guideline*
8/12	Rods installed at least on lowest row of pads
9/12	Rods installed at least on lowest 2 rows of pads
10/12	Rods installed at least on lowest 3 rows of pads
Over 10/12	Rods installed on all rows of pads

*Performance will vary with roof pitch, snow loads, density of snow, etc. Some areas may require more rods than others. The number of rows installed is at the discretion of the end user. If the above rod layouts do not meet your desired performance, additional rows of Fusion-Guard may be installed.